

CHAPTER 7

ILLUSTRATED PARTS BREAKDOWN

7.1 INTRODUCTION.

This chapter provides the Illustrated Parts Breakdown (IPB) for the Self-Contained Breathing Apparatus (SCBA) Scott® Air-Pak® 4.5. Each assembly or component has an exploded or cutaway view of the item and a corresponding table listing the parts and information necessary for ordering.

7.2 PARTS LISTS AND ILLUSTRATIONS.

Figure 7-1 through Figure 7-17 illustrate the principal SCBA components. Table 7-1 through Table 7-17 provide parts lists for principal SCBA components. Table column headings are as follows:

FIG. - ITEM NO.: Indicates the figure and item numbers relating to part location on the corresponding illustration.

CAGE: Identifies the Commercial and Government Entity (CAGE) code for the part manufacturer.

NSN: Indicates the National Stock Number (NSN) of the part or assembly.

PART NO.: The Federal Logistics Record (FEDLOG) part number is provided, which is the manufacturer's part number.

DESCRIPTION: Contains the item nomenclature and pertinent descriptive data about the part.

QTY: Indicates the quantity required per assembly.

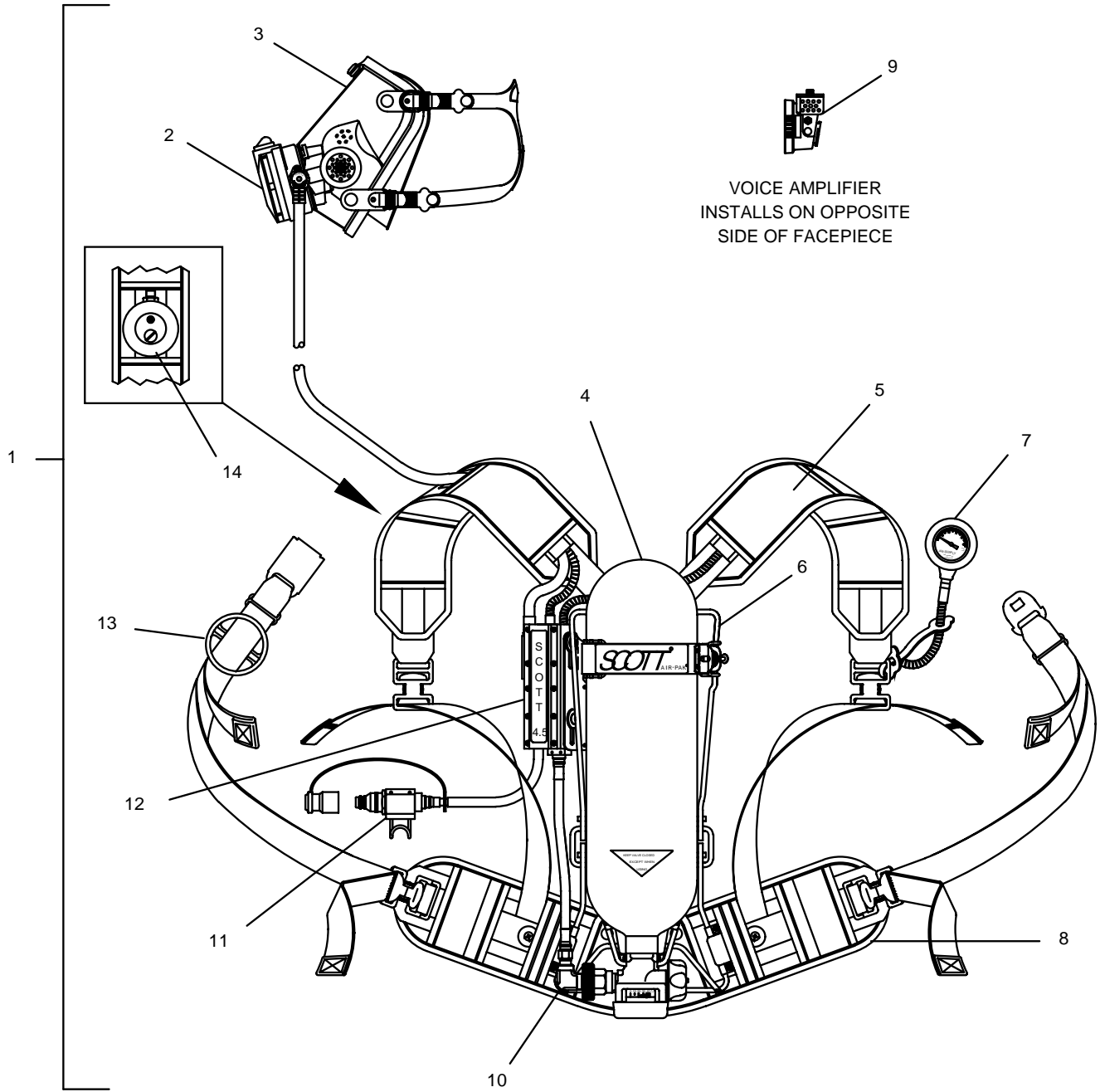


Figure 7-1. SCBA (Configurations 1-3) Parts.

Table 7-1. SCBA (Configurations 1-3) Parts List

FIG. 7-1 ITEM NO.	CAGE	NSN	PART NO.	DESCRIPTION	QTY
1	REF	REF	REF	Assembly, SCBA, Scott® Air-Pak® 4.5	1
1a	15927	REF	REF	Assembly, SCBA, Scott® Air-Pak® 4.5, Configuration 1, 30-minute fiberglass cylinder	1
1b	REF	REF	REF	Assembly, SCBA, Scott® Air-Pak® 4.5, Configuration 1, 45-minute fiberglass cylinder	1
1c	15927	4240-01-449-5351	804861-01	Assembly, SCBA, Scott® Air-Pak® 4.5, Configuration 2, 30-minute fiberglass cylinder	1
1d	15927	4240-01-458-2115	804861-02	Assembly, SCBA, Scott® Air-Pak® 4.5, Configuration 2, 45-minute fiberglass cylinder	1
1e	15927	4240-01-486-1946	804861-37	Assembly, SCBA, Scott® Air-Pak® 4.5, Configuration 3, 30-minute carbon-fiber cylinder	1
1f	15927	4240-01-500-5331	804861-38	Assembly, SCBA, Scott® Air-Pak® 4.5, Configuration 3, 45-minute carbon-fiber cylinder	1
2	15927	4240-01-449-5342	804370-01	Regulator, mask-mounted	1
3	REF	REF	REF	Facepiece, AV-2000®	1
4	REF	REF	REF	Assembly, cylinder	1
4a	15927	4240-01-376-6992	804105-01	Assembly, cylinder, 30-minute fiberglass	1
4b	15927	4240-01-449-6416	804106-01	Assembly, cylinder, 45-minute fiberglass	1
4c	15927	4240-01-486-1939	804721-01	Assembly, cylinder, 30-minute carbon-fiber	1
4d	15927	4240-01-515-7154	804722-01	Assembly, cylinder, 45-minute carbon-fiber	1
5	15927	4240-01-458-2123	803810-04 ¹	Assembly, shoulder pad	1
6	15927	0000-LL-CQA-6471	804173-02	Assembly, backframe and harness	1
7	15927	4240-01-449-6491	804851-01	Indicator, remote pressure	1
8	15927	4240-01-458-2123	803810-04 ¹	Assembly, hip pad	1
9	15927	REF	REF	Amplifier, voice ²	1
10	15927	4240-01-250-9090	802228-01	Assembly, high-pressure hose	1
11	15927	4240-01-449-5505	804519-03	Assembly, quick-charge	1
12	15927	4240-01-250-9073	802220-02	Reducer, pressure	1
13	15927	5340-01-523-4931	10008880	Holder, mask-mounted regulator	1

Table 7-1. SCBA (Configurations 1-3) Parts List - Continued.

FIG. 7-1 ITEM NO.	CAGE	NSN	PART NO.	DESCRIPTION	QTY
14	15927	4240-01-489-5480	805090-03	Alarm, bell	1
<p>¹ This item is part of a kit.</p> <p>² This version of voice amplifier is no longer available. Replacement voice amplifier ordering information can be found in Table 7-7.</p>					

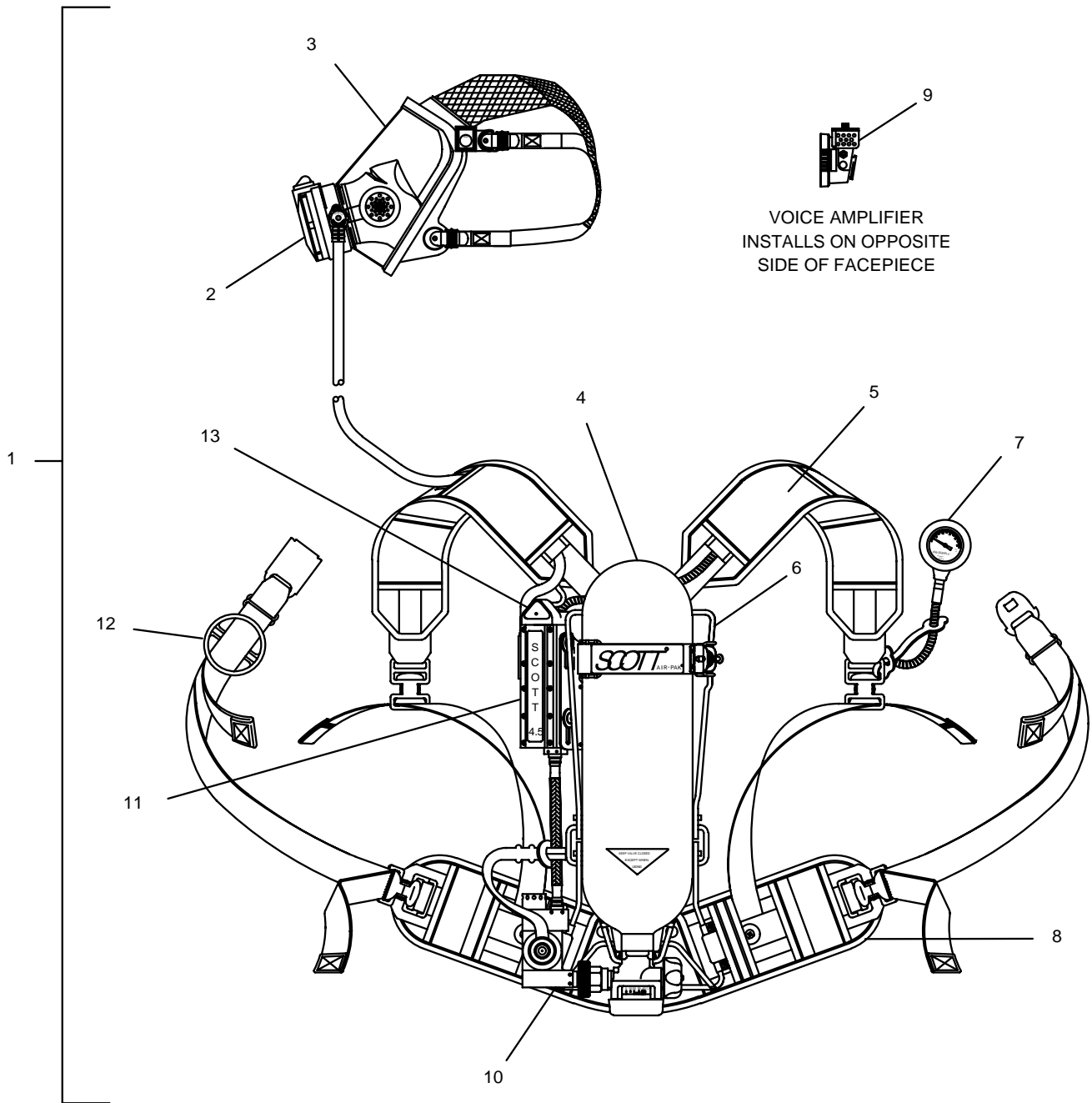


Figure 7-2. SCBA (Configuration 4) Parts.

Table 7-2. SCBA (Configuration 4) Parts List

FIG. 7-2 ITEM NO.	CAGE	NSN	PART NO.	DESCRIPTION	QTY
1	REF	REF	REF	Assembly, SCBA, Scott® Air-Pak® 4.5	1
1a	15927	4240-01-486-1946	804861-3702	Assembly, SCBA, Scott® Air-Pak® 4.5, Configuration 4, 30-minute carbon-fiber cylinder	1
1b	15927	4240-01-500-5331	804861-3802	Assembly, SCBA, Scott® Air-Pak® 4.5, Configuration 4, 45-minute carbon-fiber cylinder	1
2	15927	4240-01-526-2958	200077-11	Regulator, mask-mounted, EZ Flo+, HUD	1
3	REF	REF	REF	Facepiece, AV-3000® (2002 Edition)	1
4	REF	REF	REF	Assembly, cylinder	1
4a	15927	4240-01-486-1939	804721-01	Assembly, cylinder, 30-minute carbon-fiber	1
4b	15927	4240-01-515-7154	804722-01	Assembly, cylinder, 45-minute carbon-fiber	1
5	15927	4240-01-458-2123	803810-04 ¹	Assembly, shoulder pad	1
6	15927	0000-LL-CQA-6471	804173-02	Assembly, backframe and harness	1
7	15927	4240-01-449-6491	804851-01	Indicator, remote pressure	1
8	15927	4240-01-458-2123	803810-04 ¹	Assembly, hip pad	1
9	15927	REF	REF	Amplifier, voice ²	1
10	15927	4240-01-526-2997	200048-03	Assembly, RIC UAC	1
11	15927	4240-01-250-9073	802220-02	Reducer, pressure	1
12	15927	5340-01-523-4931	10008880	Holder, mask-mounted regulator	1
13	15927	6685-01-526-0797	200187-03	Visualert®	1

¹ This item is part of a kit.

² This version of voice amplifier is no longer available. Replacement voice amplifier ordering information can be found in [Table 7-7](#).

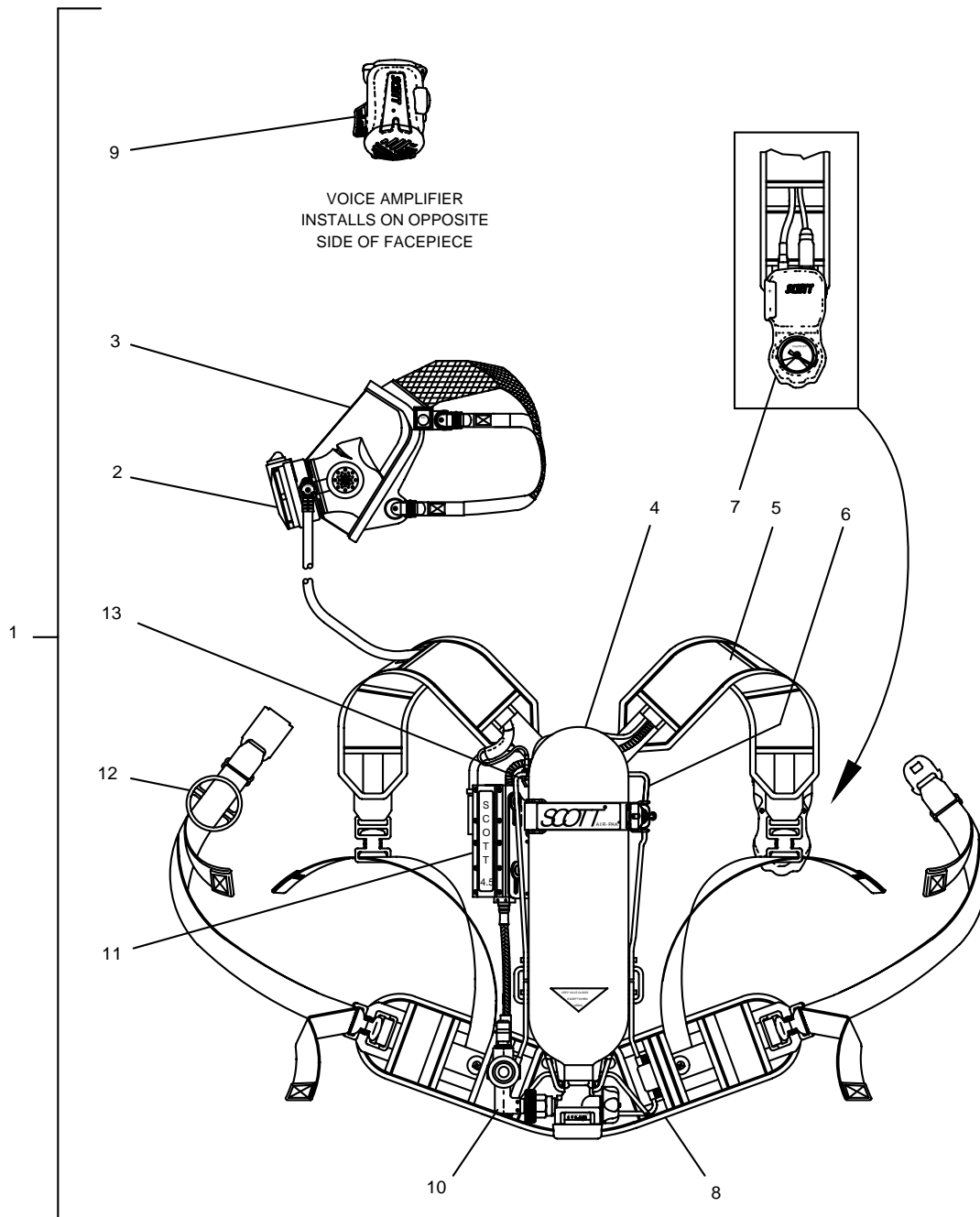


Figure 7-3. SCBA (Configuration 5) Parts.

Table 7-3. SCBA (Configuration 5) Parts List

FIG. 7-3 ITEM NO.	CAGE	NSN	PART NO.	DESCRIPTION	QTY
1	REF	REF	REF	Assembly, SCBA, Scott® Air-Pak® 4.5	1
1a	15927	4240-01-563-9666	804861-3707	Assembly, SCBA, Scott® Air-Pak® 4.5, Configuration 4, 30-minute carbon-fiber cylinder	1
1b	15927	4240-01-563-9657	804861-3807	Assembly, SCBA, Scott® Air-Pak® 4.5, Configuration 4, 45-minute carbon-fiber cylinder	1
2	15927	4240-01-526-2958	200077-11	Regulator Assembly, mask-mounted EZ Flo+, HUD	1
3	REF	REF	REF	Facepiece, AV-3000® (2007 Edition)	1
4	REF	REF	REF	Assembly, cylinder	1
4a	15927	4240-01-486-1939	804721-01	Assembly, cylinder, 30-minute carbon-fiber	1
4b	15927	4240-01-515-7154	804722-01	Assembly, cylinder, 45-minute carbon-fiber	1
5	15927	4240-01-458-2123	803810-04 ¹	Assembly, shoulder pad	1
6	15927	0000-LL-CQA-6471	804173-02	Assembly, backframe and harness	1
	15927	5340-01-564-1595	33488-003	Clamp, loop steel	2
7	15927	4240-01-564-1634	200280-01	Indicator, remote pressure console	1
8	15927	4240-01-458-2123	803810-04 ¹	Assembly, hip pad	1
9	15927	5996-01-564-6557	200739-01	Amplifier, voice, EPIC, with mounting brackets	1
10	15927	4240-01-564-1656	802228-15	Assembly, RIC UAC	1
11	15927	4240-01-250-9073	802220-02	Reducer, pressure	1
12	15927	5340-01-523-4931	10008880	Holder, mask-mounted regulator	1
13	15927	5995-01-564-1606	31001150-01	Molded cable connector assembly, Air-Pak (HUD only)	1
¹ This item is part of a kit.					

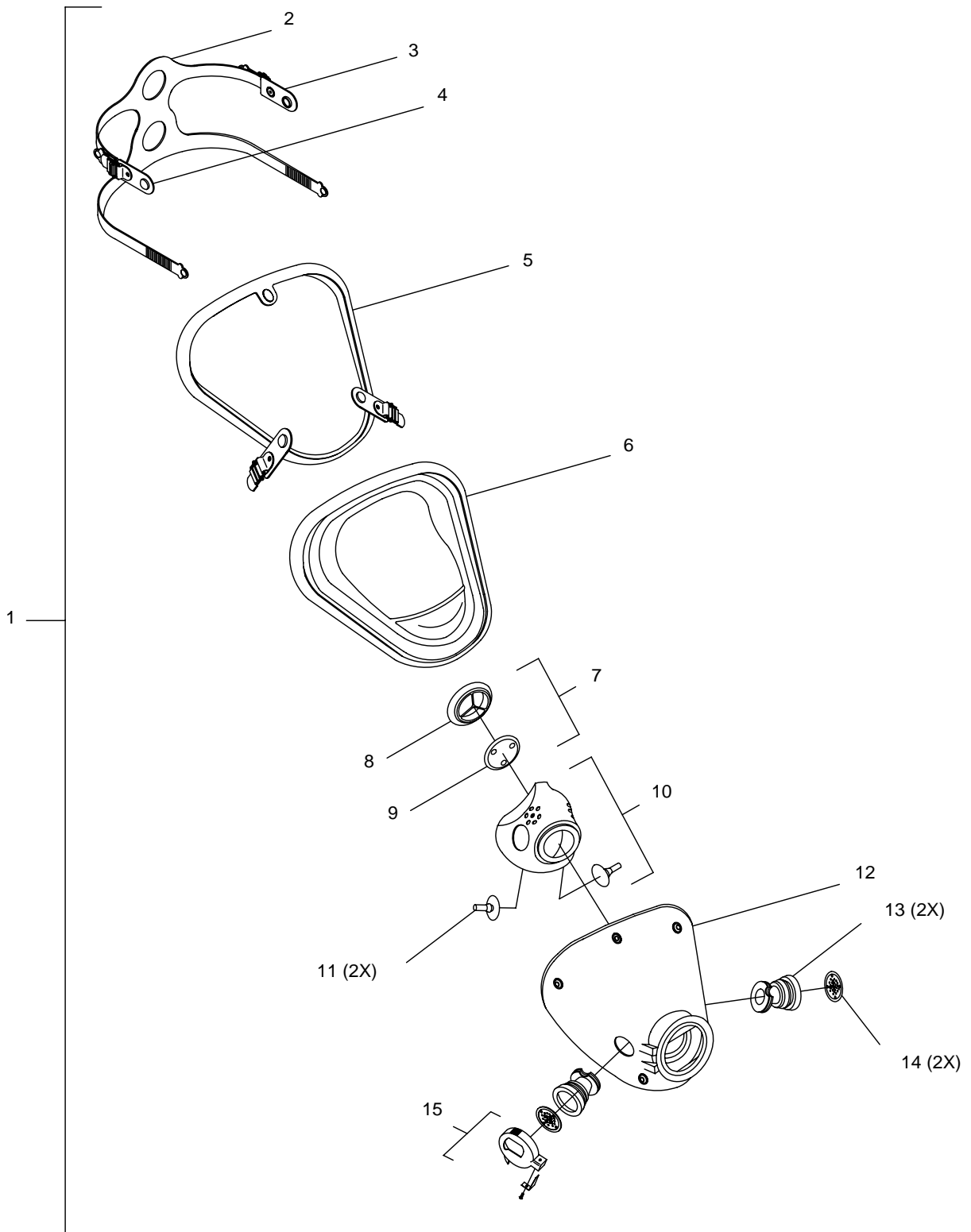


Figure 7-4. AV-2000® Facepiece Parts.

Table 7-4. AV-2000® Facepiece Parts List

FIG. 7-4 ITEM NO.	CAGE	NSN	PART NO.	DESCRIPTION	QTY
1	REF	REF	REF	Facepiece, AV-2000® ¹	1
1a	15927	4240-01-449-3106	804871-31	Facepiece, AV-2000®, small (green) ¹	1
1b	15927	4240-01-489-5316	804871-32	Facepiece, AV-2000®, large (black) ¹	1
1c	15927	4240-01-449-3120	804871-33	Facepiece, AV-2000®, extra-large (red) ¹	1
2	15927	4240-01-458-2127	10010642	Harness, head, 4-strap (without clip assemblies)	1
3	15927	—	804867-02	Assembly, clip, LH (as worn)	1
4	15927	—	804867-01	Assembly, clip, RH (as worn)	1
5	15927	—	804869-01	Frame	1
6	REF	REF	REF	Faceseal	1
6a	15927	—	10005913	Faceseal, small (green)	1
6b	15927	—	10009779	Faceseal, large (black)	1
6c	15927	—	10006212	Faceseal, extra-large (red)	1
7	15927	—	805353-01	Assembly, auxiliary exhalation valve	1
8	15927	—	10009598	Ring, nosecup retaining	1
9	15927	4240-01-490-2382	10011038	Valve, auxiliary exhalation	1
10	15927	4240-01-449-5516	804014-01	Assembly, nosecup	1
11	15927	4240-01-489-5469	10005603	Valve, inhalation check	2
12	15927	4240-01-449-3140	804868-01	Lens	1
13	15927	—	10008400	Duct, voicemitter	2
14	15927	4240-01-449-1241	804010-01	Voicemitter	2
15	15927	4240-01-489-5477	804636-01	Bracket, mounting ²	1

¹ Order the AV-3000® (2007 Edition) facepiece assembly when replacing an entire AV-2000® facepiece assembly.

² If replacing the voice amplifier mounting bracket, order the EPIC Voice Amplifier. Ordering information in Table 7-7.

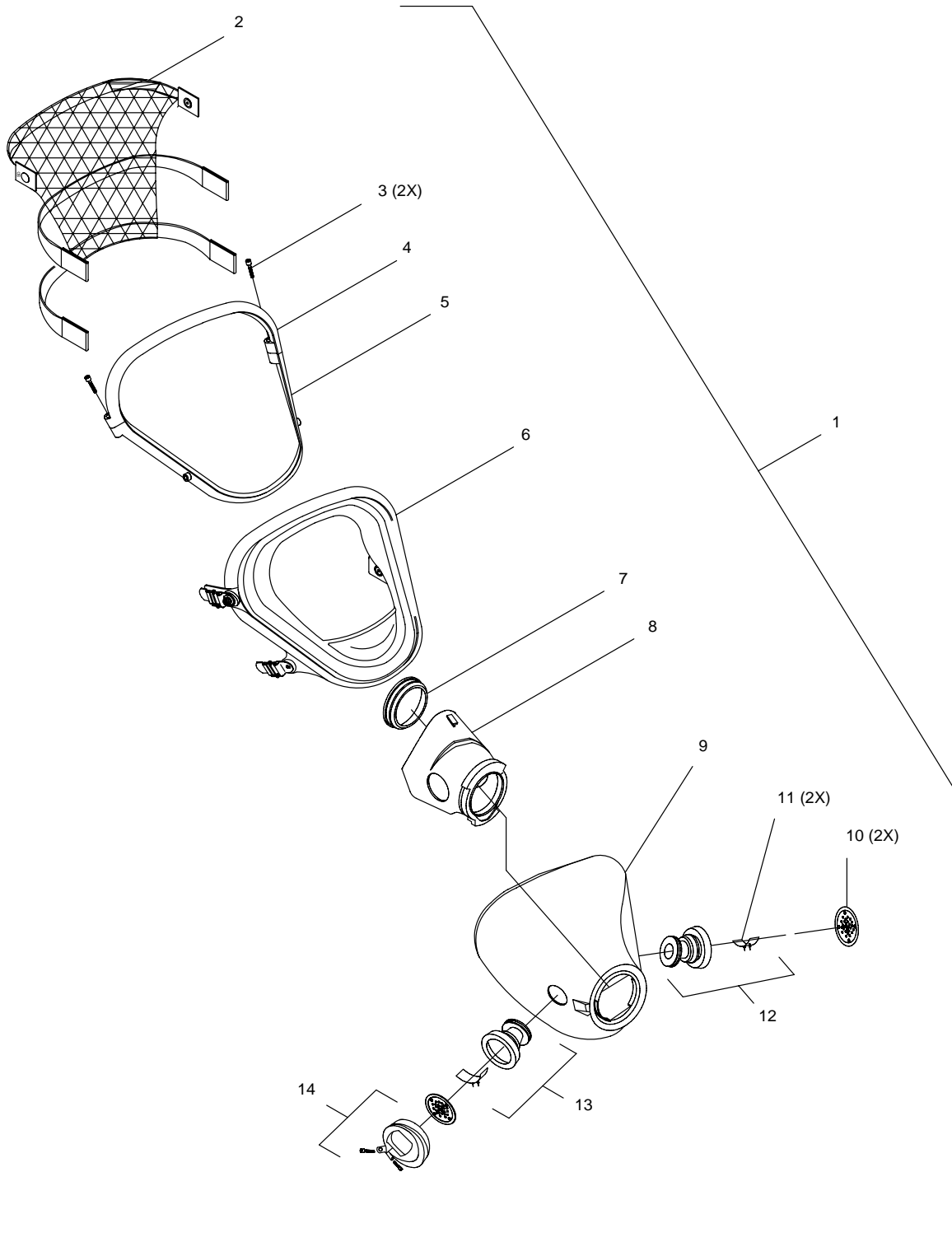


Figure 7-5. AV-3000® (2002 Edition) Facepiece Parts

Table 7-5. AV-3000® (2002 Edition) Facepiece Parts List

FIG. 7-5 ITEM NO.	CAGE	NSN	PART NO.	DESCRIPTION	QTY
1	REF	REF	REF	Facepiece Assembly, AV-3000® (2002 Edition) ¹	1
1a	15927	4240-01-526-2398	805773-07	Facepiece Assembly, AV-3000®, (2002 Edition) small ¹	1
1b	15927	4240-01-526-2388	805773-08	Facepiece Assembly, AV-3000®, (2002 Edition) medium ¹	1
1c	15927	4240-01-526-2395	805773-09	Facepiece, Assembly, AV-3000®, (2002 Edition) large ¹	1
2	REF	REF	REF	Harness, head, Kevlar®	1
2a	15927	4240-01-526-2799	805808-01	Harness, head, Kevlar®, standard	1
2b	15927	4240-01-559-7845	805808-02	Harness, head, Kevlar®, large	1
3	15927	5305-01-526-6465	33335-022	Screw, bezel	2
4	15927	6695-01-526-0673	1011024	Bezel, upper	1
5	15927	6695-01-526-0672	1011025	Bezel, lower	1
6	REF	REF	REF	Faceseal	1
6a	15927	5330-01-562-3606	805771-01	Faceseal, size small	1
6b	15927	4240-01-560-3826	805771-02	Faceseal, size medium	1
6c	15927	4240-01-560-3822	805771-03	Faceseal, size large	1
7	15927	—	10011015	Ring, retaining	1
8	REF	REF	REF	Nosecup	1
8a	15927	4240-01-564-1616	31001043	Nosecup, size small	1
8b	15927	4240-01-564-1617	31001044	Nosecup, size medium	1
8c	15927	4240-01-564-1626	31001045	Nosecup, size large	1
9	15927	4240-01-526-2777	805345-01	Lens	1
10	15927	4240-01-526-2774	803759-01	Voicemitter	2
11	15927	—	10011014	Valve, inhalation check	2
12	15927	4240-01-526-2786	805339-01	Assembly, voicemitter duct, left	1
13	15927	4240-01-526-2793	805339-02	Assembly, voicemitter duct, right	1
14	15927	4240-01-489-5477	804363-01	Bracket, mounting ²	1

¹ Order the AV-3000® (2007 Edition) facepiece assembly when replacing an entire AV-3000® (2002 Edition) facepiece assembly.

² If replacing the voice amplifier mounting bracket, order the EPIC Voice Amplifier. Ordering information in [Table 7-7](#).

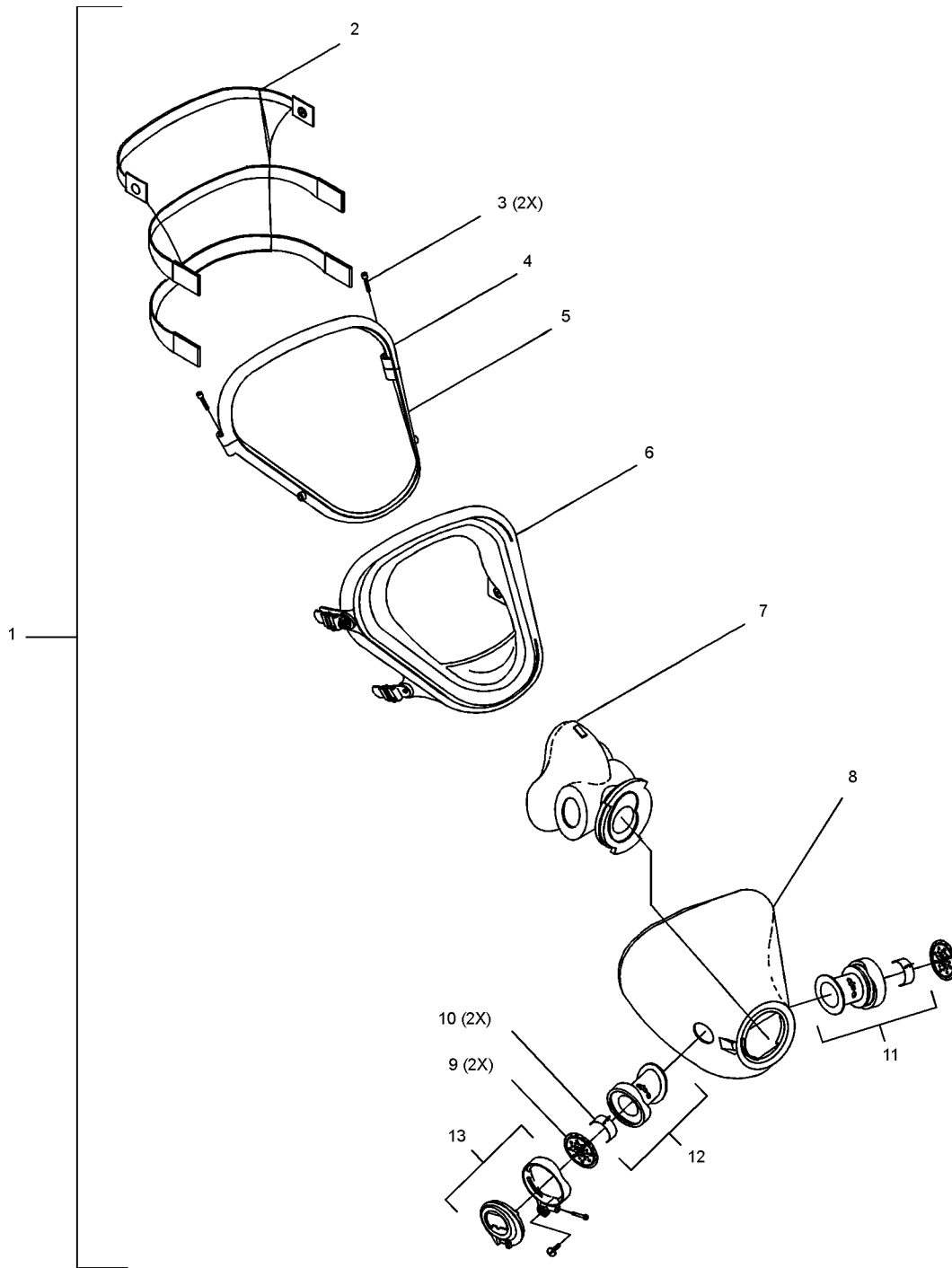


Figure 7-6. AV-3000® (2007 Edition) Facepiece Parts

Table 7-6. AV-3000® (2007 Edition) Facepiece Parts List

FIG. 7-6 ITEM NO.	CAGE	NSN	PART NO.	DESCRIPTION	QTY
1	REF	REF	REF	Facepiece Assembly, AV-3000®	1
1a	15927	4240-01-526-2398	805773-74	Facepiece Assembly, AV-3000®, small	1
1b	15927	4240-01-526-2388	805773-75	Facepiece Assembly, AV-3000®, medium	1
1c	15927	4240-01-526-2395	805773-76	Facepiece, Assembly, AV-3000®, large	1
2	REF	REF	REF	Harness, head, Kevlar®	1
2a	15927	4240-01-526-2799	805808-01	Harness, head, Kevlar®, standard	1
2b	15927	4240-01-559-7845	805808-02	Harness, head, Kevlar®, large	1
3	15927	5305-01-526-6465	33335-022	Screw, bezel	2
4	15927	6695-01-526-0673	1011024	Bezel, upper	1
5	15927	6695-01-526-0672	1011025	Bezel, lower	1
6	REF	REF	REF	Faceseal	1
6a	15927	5330-01-562-3606	805771-01	Faceseal, size small	1
6b	15927	4240-01-560-3826	805771-02	Faceseal, size medium	1
6c	15927	4240-01-560-3822	805771-03	Faceseal, size large	1
7	REF	REF	REF	Nosecup	1
7a	15927	4240-01-564-1616	31001043	Nosecup, size small	1
7b	15927	4240-01-564-1617	31001044	Nosecup, size medium	1
7c	15927	4240-01-564-1626	31001045	Nosecup, size large	1
8	15927	4240-01-526-2777	805345-01	Lens	1
9	15927	4240-01-526-2774	803759-01	Voicemitter	2
10	15927	—	10011014	Valve, inhalation check	2
11	15927	4240-01-526-2786	805339-01	Assembly, voicemitter duct, left	1
12	15927	4240-01-526-2793	805339-02	Assembly, voicemitter duct, right	1
13	15927	4240-01-564-1389	200715-01	Bracket, mounting	1

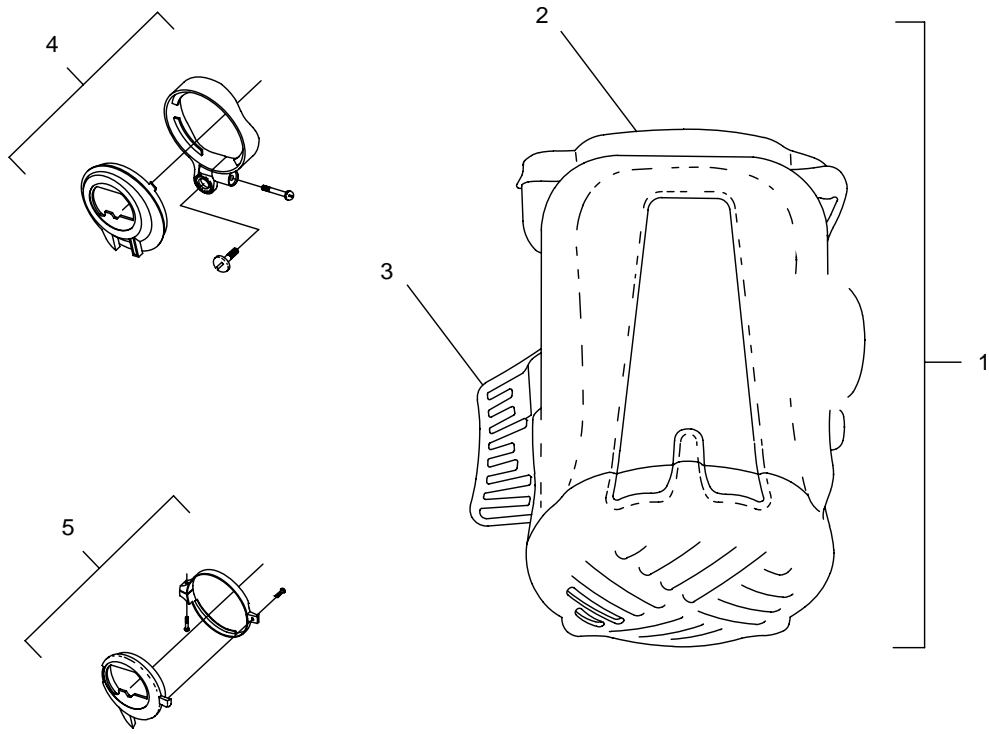


Figure 7-7. EPIC Voice Amplifier Parts.

Table 7-7. EPIC Voice Amplifier Parts List

FIG. 7-7 ITEM NO.	CAGE	NSN	PART NO.	DESCRIPTION	QTY
1	15927	5996-01-564-6557	200739-01	EPIC voice amplifier with mounting bracket	1
2	15927	—	31001087	Battery door assembly, EPIC voice amplifier	1
3	15927	—	31001089	Bayonet thumb latch locking lever, EPIC voice amplifier	1
4	15927	—	200716-01	AV-2000® mounting bracket assembly	1
5	15927	—	200715-01	AV-3000® mounting bracket assembly	1

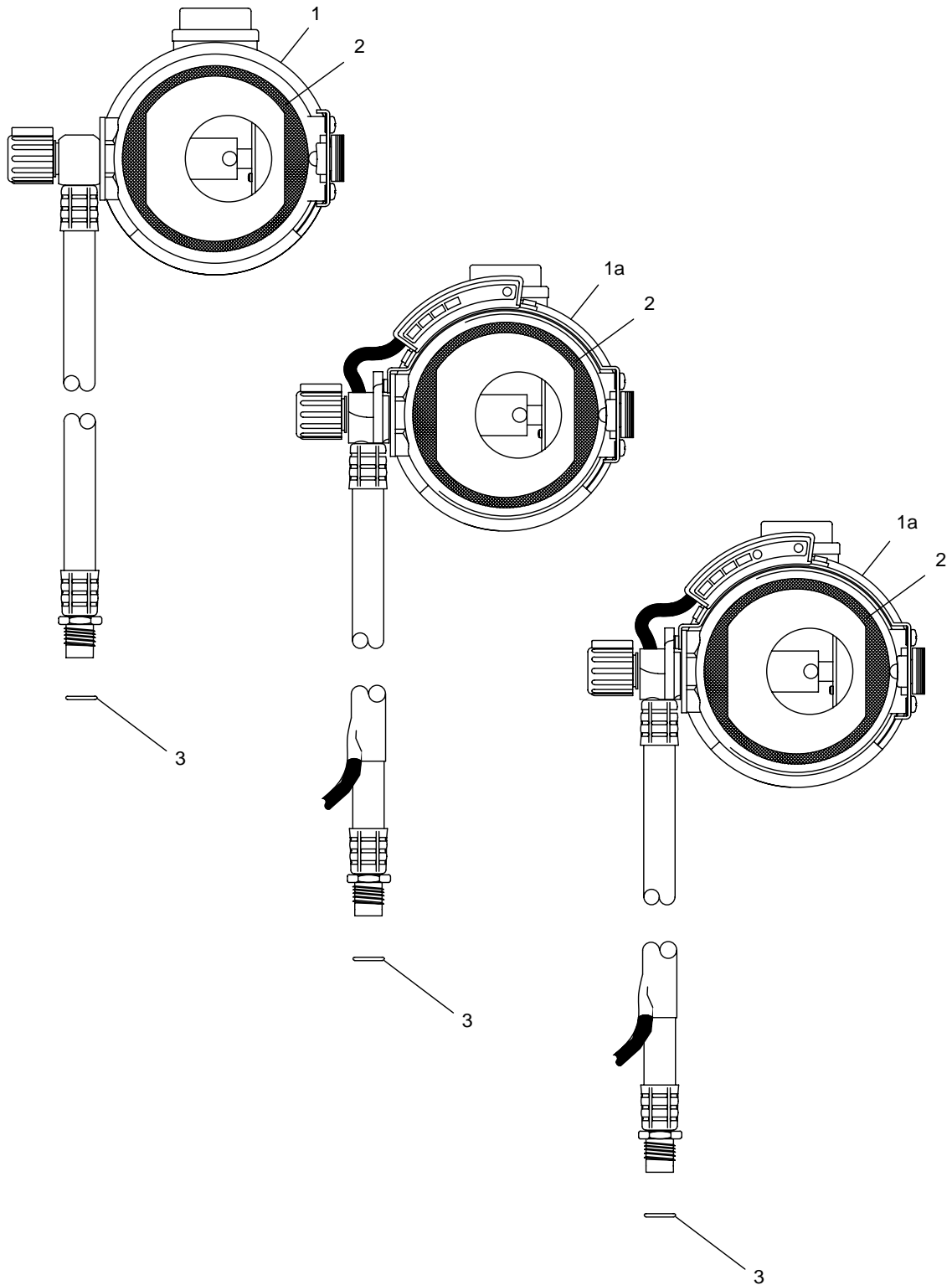


Figure 7-8. Mask-Mounted Regulator Parts.

Table 7-8. Mask-Mounted Regulator Parts List

FIG. 7-8 ITEM NO.	CAGE	NSN	PART NO.	DESCRIPTION	QTY
1	REF	REF	REF	Regulator, mask-mounted	1
1a	15927	4240-01-526-2958	200077-11	Regulator, mask-mounted, with Heads-Up Display (HUD)	1
2	15927	4240-01-251-5349	10005368	Gasket, sealing	1
3	15927	4240-01-251-5353	18002-00	O-ring	1

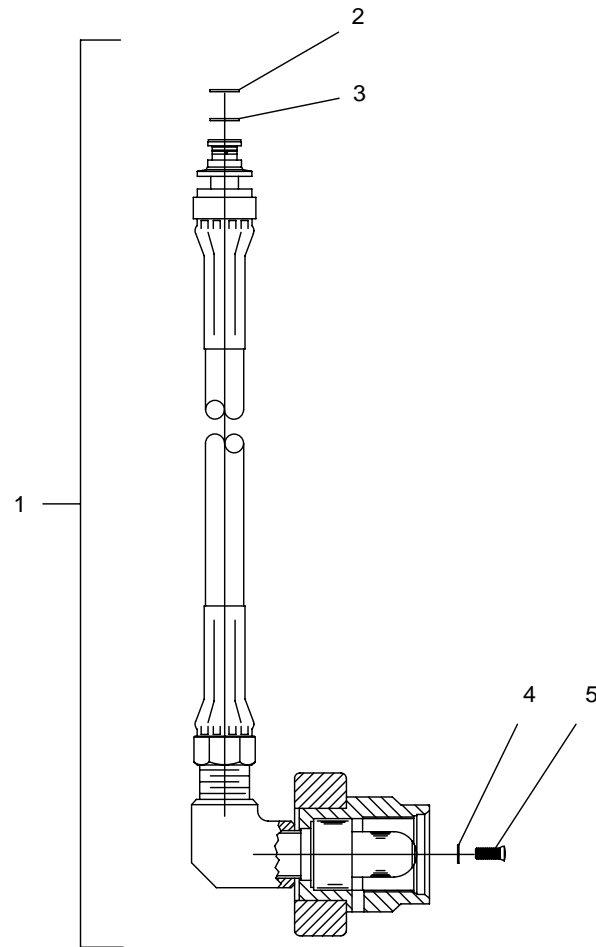


Figure 7-9. High-Pressure Hose Assembly Parts.

Table 7-9. High-Pressure Hose Assembly Parts List

FIG. 7-9 ITEM NO.	CAGE	NSN	PART NO.	DESCRIPTION	QTY
1	REF	REF	REF	Assembly, high-pressure hose	1
2	15927	5330-01-458-5045	55622-00	O-ring	1
3	15927	5330-01-490-0766	18071-02	Ring, backup	1
4	15927	4240-01-251-5372	57264-00	Gasket, nipple seal	1
5	15927	5306-01-172-9318	10000113	Screw, retaining	1

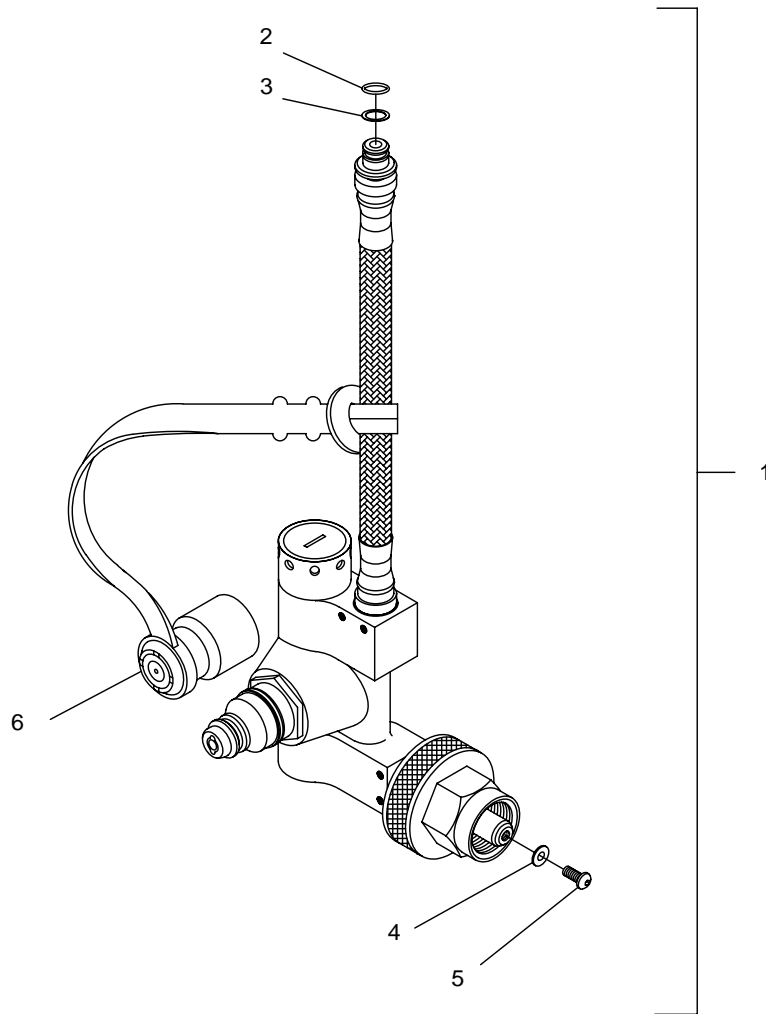


Figure 7-10. RIC UAC Assembly Parts (Configuration 4).

Table 7-10. RIC UAC Assembly Parts List (Configuration 4)

FIG. 7-9 ITEM NO.	CAGE	NSN	PART NO.	DESCRIPTION	QTY
1	15927	4240-01-526-2997	200048-03	Assembly, RIC UAC	1
2	15927	5330-01-458-5045	55622-00	O-ring	2
3	15927	5330-01-490-0766	18071-02	Ring, backup	3
4	15927	4240-01-251-5372	57264-00	Gasket, nipple seal	1
5	15927	5306-01-172-9318	10000113	Screw, retaining	1
6	15927	5340-01-526-6331	10009514	Boot, coupling, RIC UAC	1

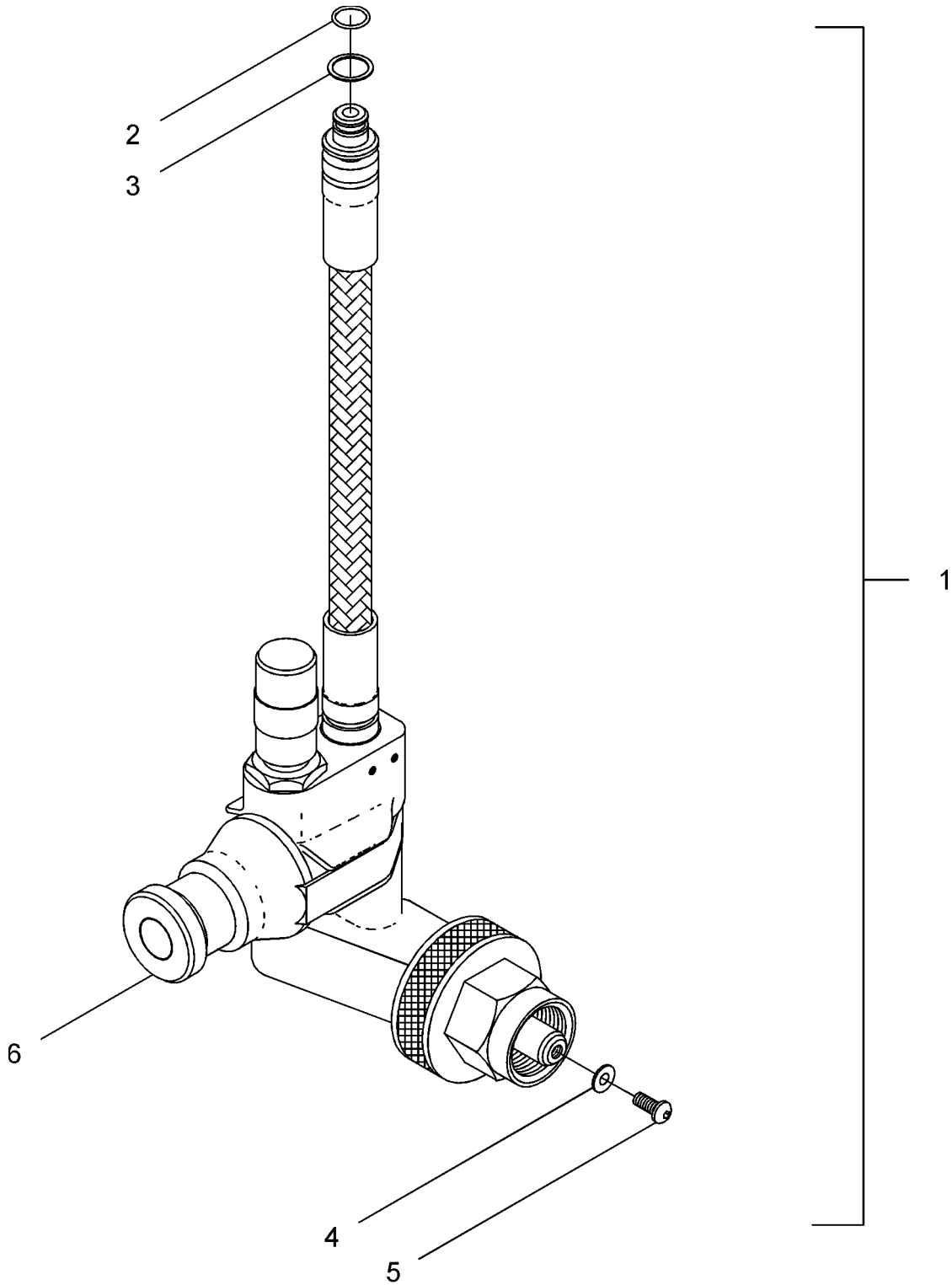


Figure 7-11. RIC UAC Assembly Parts (Configuration 5).

Table 7-11. RIC UAC Assembly Parts List (Configuration 5)

FIG. 7-11 ITEM NO.	CAGE	NSN	PART NO.	DESCRIPTION	QTY
1	15927	4240-01-564-1656	802228-15	Assembly, RIC UAC	1
2	15927	5330-01-458-5045	55622-00	O-ring	2
3	15927	5330-01-490-0766	18071-02	Ring, backup	3
4	15927	4240-01-251-5372	57264-00	Gasket, nipple seal	1
5	15927	5306-01-172-9318	10000113	Screw, retaining	1
6	15927	4240-01-564-1649	200684-02	Boot, coupling, RIC UAC	1

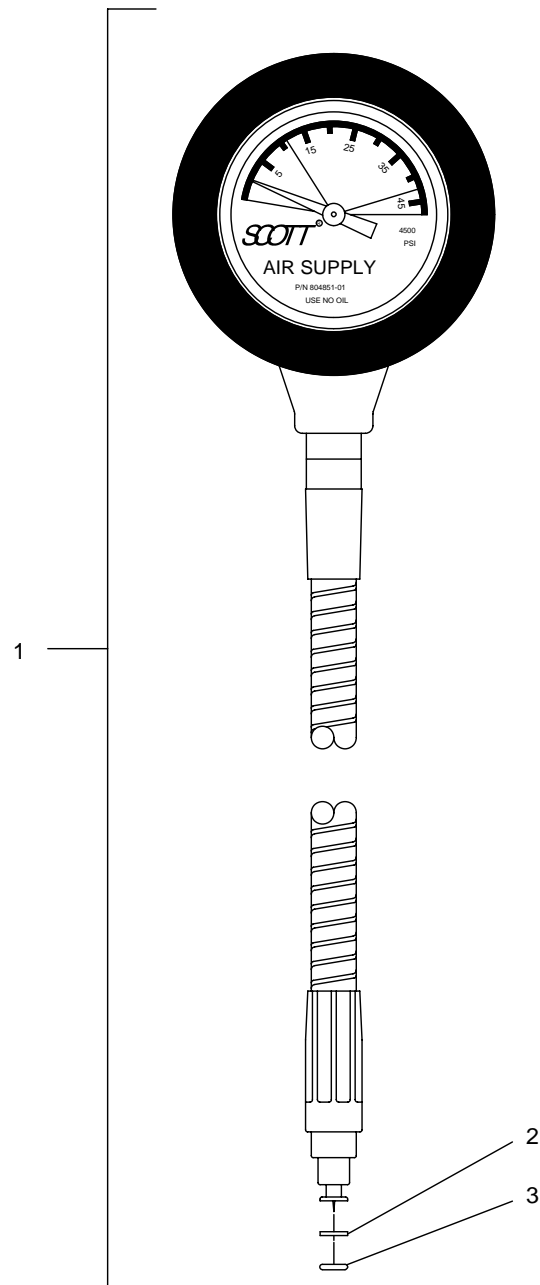


Figure 7-12. Remote Pressure Indicator Parts.

Table 7-12. Remote Pressure Indicator Parts List

FIG. 7-12 ITEM NO.	CAGE	NSN	PART NO.	DESCRIPTION	QTY
1	REF	REF	REF	Indicator, remote pressure	1
2	15927	5330-01-106-2393	18071-00	Ring, backup	1
3	15927	5330-01-458-5048	55810-00	O-ring	1

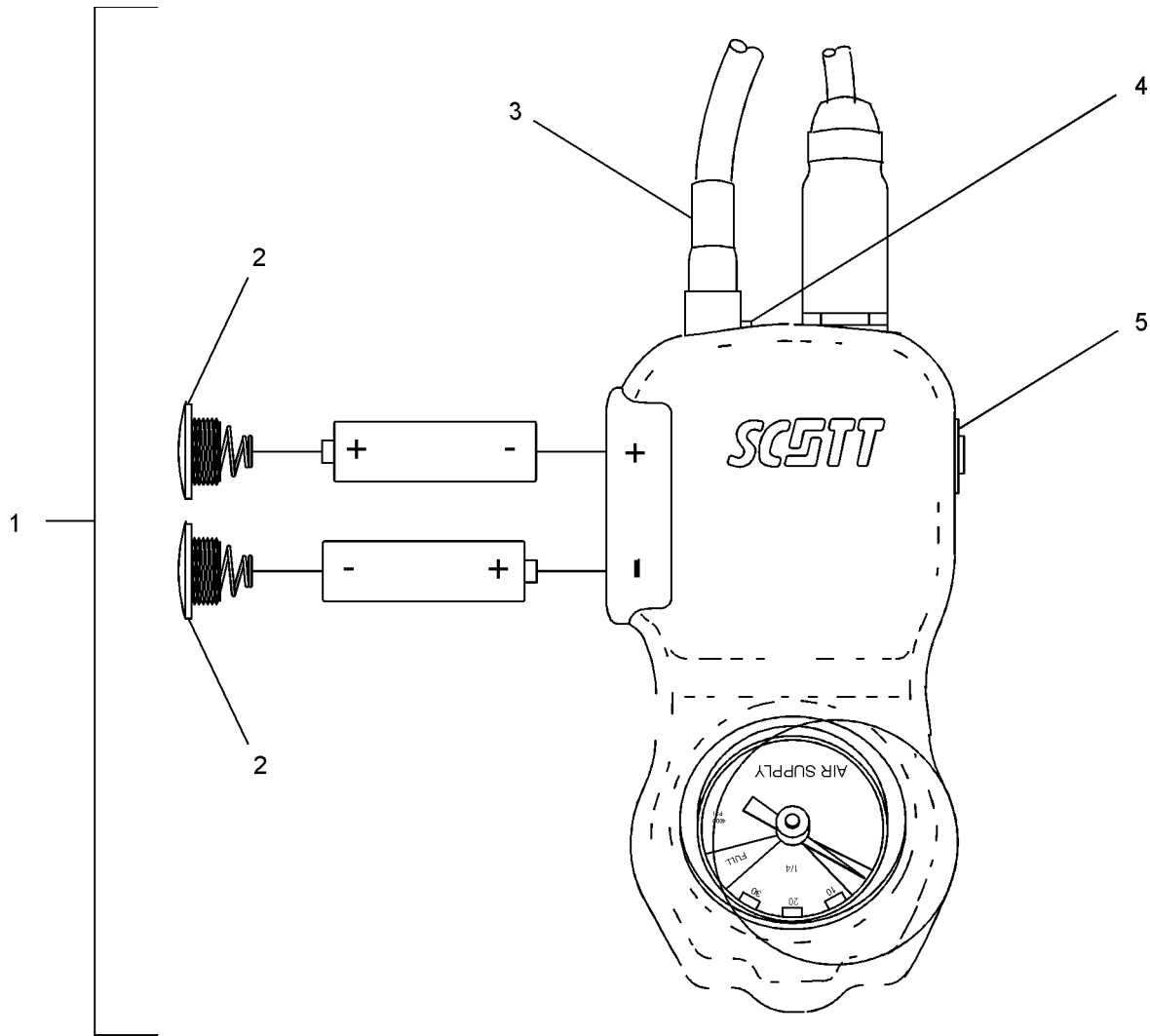


Figure 7-13. Remote Pressure Indicator Console Parts.

Table 7-13. Remote Pressure Indicator Console Parts List

FIG. 7-13 ITEM NO.	CAGE	NSN	PART NO.	DESCRIPTION	QTY
1	15927	4240-01-564-1634	200280-01	Console assembly, remote pressure indicator	1
2	15927	5999-01-564-1644	200296-01	Battery cap	2
3	15927	4240-01-564-2352	200270-03	Gauge line assembly	1
4	15927	5340-01-564-1591	31001418	"U" Pin	1
5	15927	4240-01-377-5414	10008535	Gauge retaining strap	1

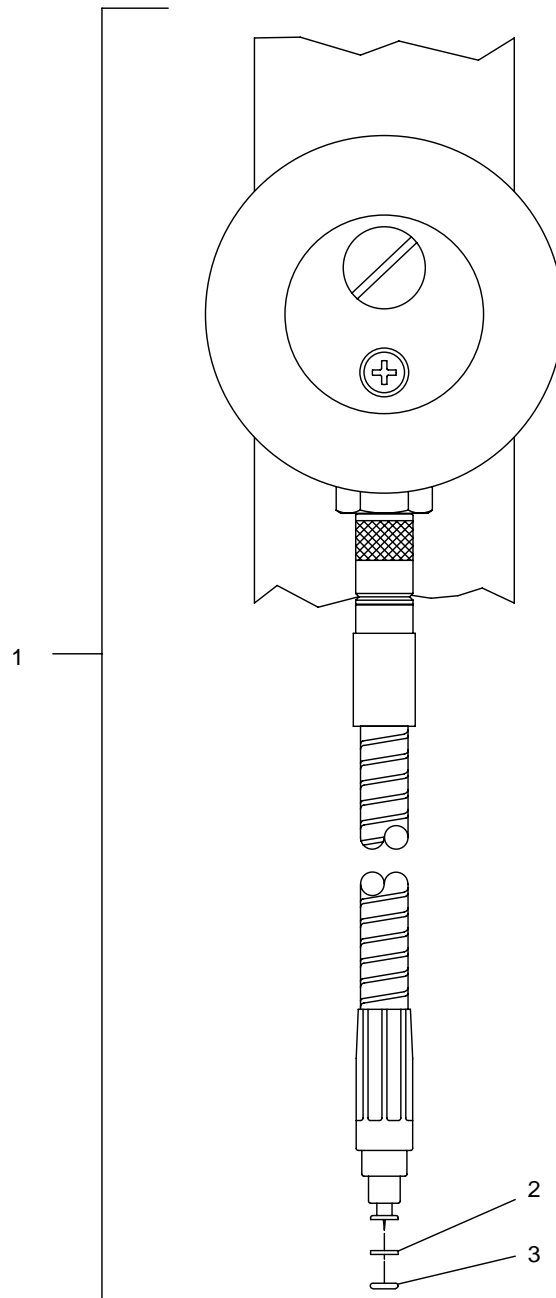


Figure 7-14. Bell Alarm Parts.

Table 7-14. Bell Alarm Parts List

FIG. 7-14 ITEM NO.	CAGE	NSN	PART NO.	DESCRIPTION	QTY
1	REF	REF	REF	Alarm, bell	1
2	15927	5330-01-106-2393	18071-00	Ring, backup	1
3	15927	5330-01-458-5048	55810-00	O-ring	1

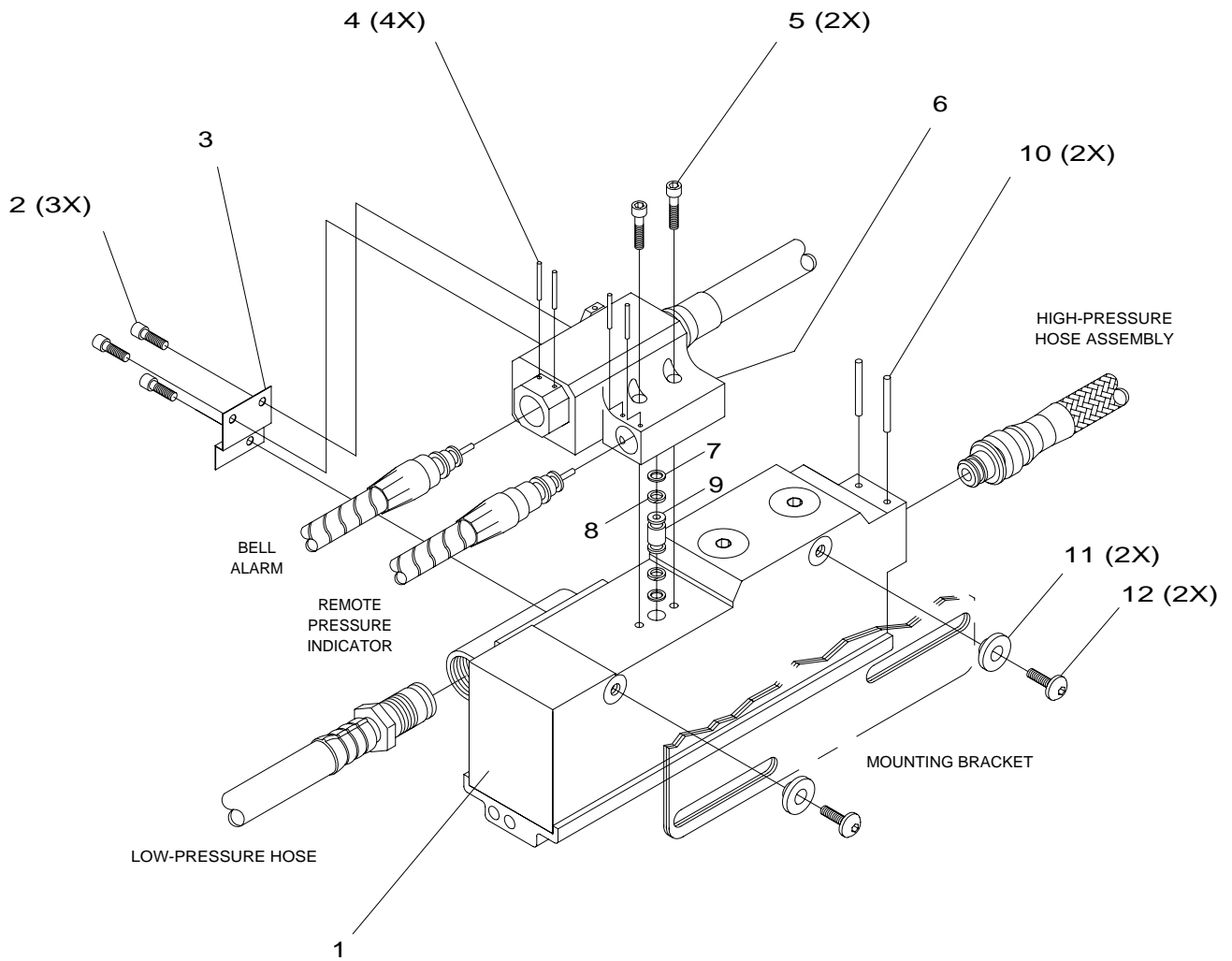


Figure 7-15. Pressure Reducer and Quick-Charge Assembly Parts.

Table 7-15. Pressure Reducer and Quick-Charge Assembly Parts List

FIG. 7-15 ITEM NO.	CAGE	NSN	PART NO.	DESCRIPTION	QTY
1	REF	REF	REF	Reducer, pressure	1
2	15927	—	33361-017	Screw, hex head	3
3	15927	—	10011121	Bracket	1
4	15927	5315-01-461-2338	33481-107	Pin, roll, 5/8 inch	4
5	15927	5305-01-461-7143	33361-010	Screw, hex head	2
6	REF	REF	REF	Assembly, quick-charge	1
7	15927	5330-01-458-5048	55810-00	O-ring	1
8	15927	5330-01-106-2393	18071-00	Ring, backup	1
9	15927	4240-01-511-0027	10005473	Probe, mounting	1
10	15927	5315-01-458-6875	10007842	Pin, roll, 1/8 inch	2
11	15927	—	10009256	Washer, sliding	2
12	15927	—	31000492	Screw, mounting	2

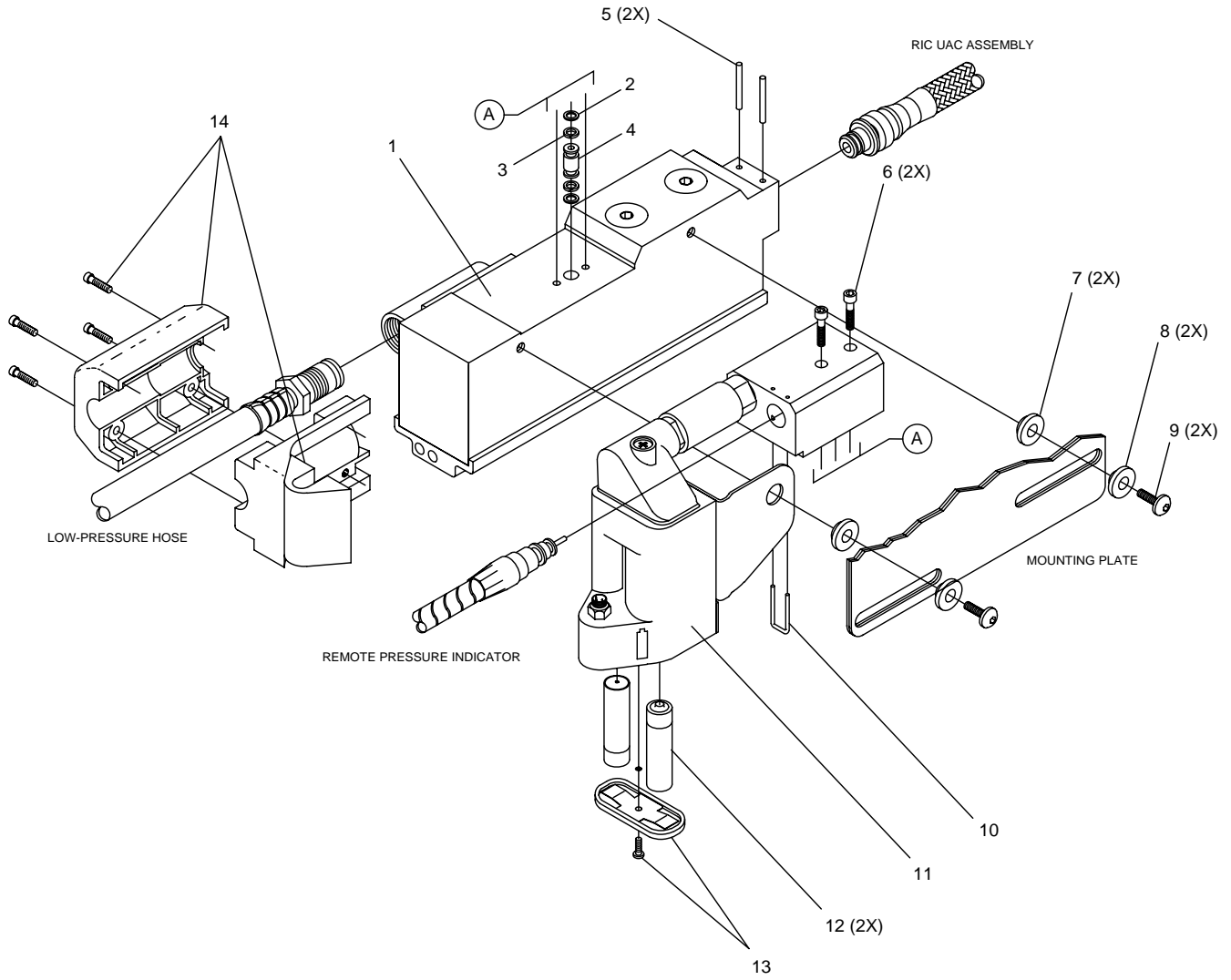


Figure 7-16. Pressure Reducer and Visualert® Parts.

Table 7-16. Pressure Reducer and Visualert® Parts List

FIG. 7-16 ITEM NO.	CAGE	NSN	PART NO.	DESCRIPTION	QTY
1	REF	REF	REF	Reducer, pressure	1
2	15927	5330-01-458-5048	55810-00	O-ring	2
3	15927	5330-01-106-2393	18071-00	Ring, backup	2
4	15927	4240-01-511-0027	10005473	Probe, mounting	1
5	15927	5315-01-458-6875	10007842	Pin, roll	2
6	15927	5305-01-461-7143	33361-010	Screw, hex head	2
7	15927	—	31000355	Spacer	2
8	15927	—	10009256	Washer, sliding	2
9	15927	—	31000492	Screw, mounting	2
10	15927	—	1500106	Clip, retaining	1
11	REF	REF	REF	Visualert®	1
12	REF	REF	REF	Battery, non-rechargeable, AA	2
13	15927	—	200189-01	Battery cover assembly	1
14	15927	REF	REF	Anti-rotation hose clamp kit	1

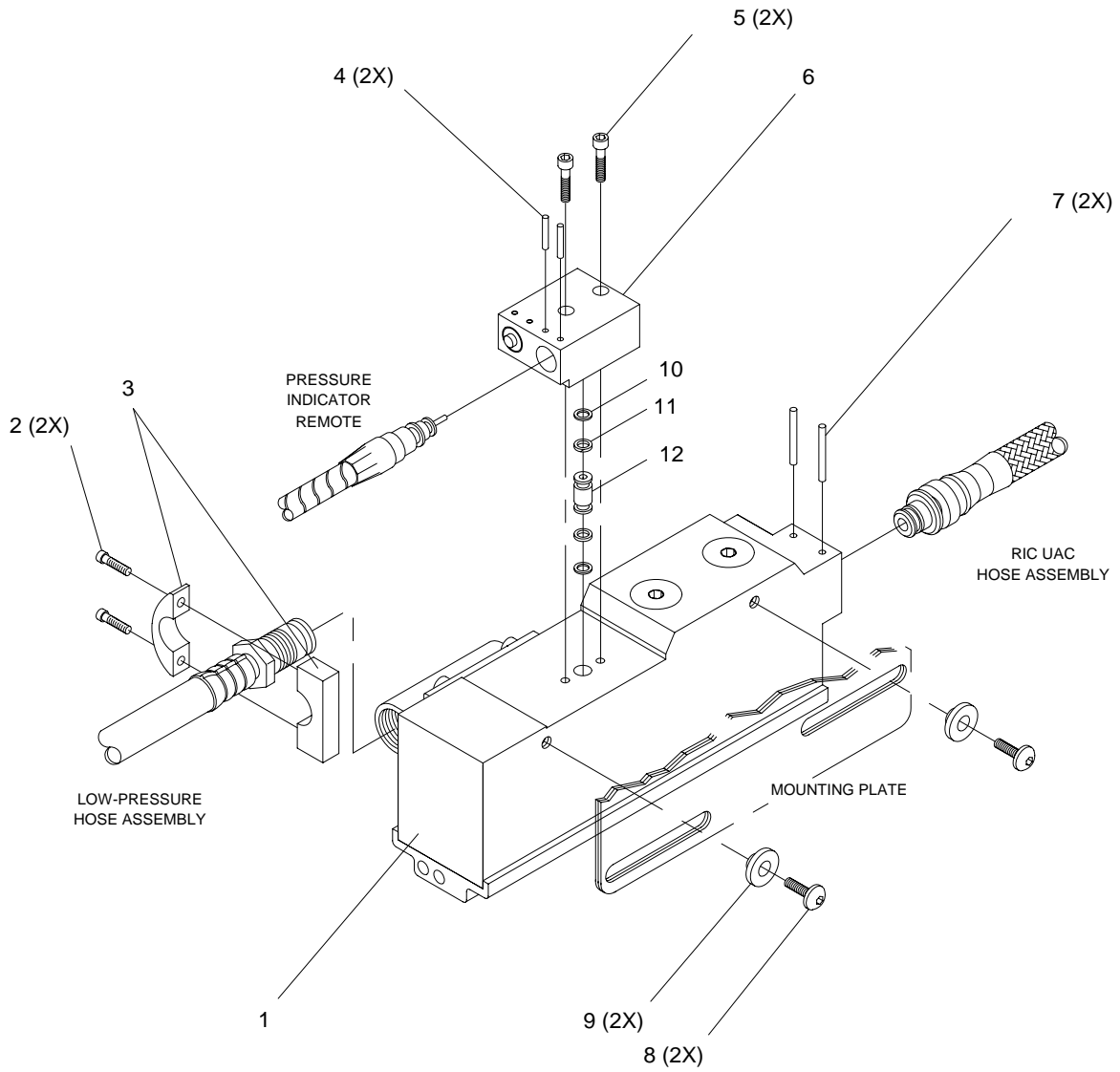


Figure 7-17. Pressure Reducer Parts (Configuration 5).

Table 7-17. Pressure Reducer Parts (Configuration 5) List

FIG. 7-17 ITEM NO.	CAGE	NSN	PART NO.	DESCRIPTION	QTY
1	REF	REF	REF	Reducer, pressure	1
2	15927	—	—	Screw, mounting	2
3	15927	4240-01-564-1639	200721-01	Regulator hose anti-rotational clamp assembly	1
4	15927	5315-01-458-6875	10007842	Pin, roll	2
5	15927	5305-01-461-7143	33361-010	Screw, hex head	2
6	15927	—	—	Mounting block, remote pressure indicator console hose	1
7	15927	5315-01-458-6875	10007842	Pin, roll	2
8	15927		31000492	Screw, mounting	2
9	15927	—	10009256	Washer, sliding	2
	15927	—	31000355	Spacer	2
10	15927	5330-01-458-5048	55810-00	O-ring	2
11	15927	5330-01-106-2393	18071-00	Ring, backup	2
12	15927	4240-01-511-0027	10005473	Probe, mounting	1

7.3 LIST OF MANUFACTURERS.

Table 7-18 below lists the manufacturers and their Commercial and Government Entity (CAGE) Codes for all of the parts listed in Chapter 7.

Table 7-18. List of Manufacturers

CAGE Code	Manufacturer
15927	Scott Health and Safety 4320 Goldmine Road Monroe NC 28110 (800) 247-7257